



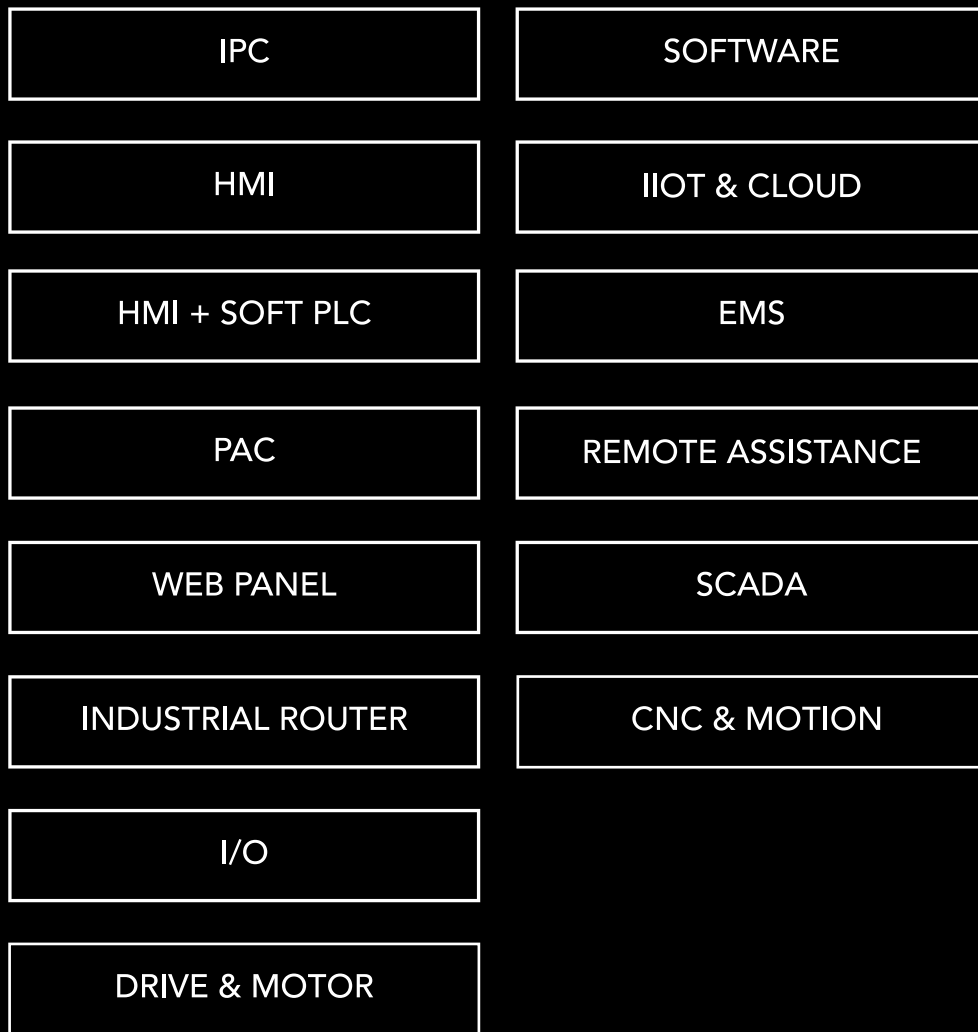
IPC

BOX & PANEL IPC

Connect
ideas.
Shape
solutions.

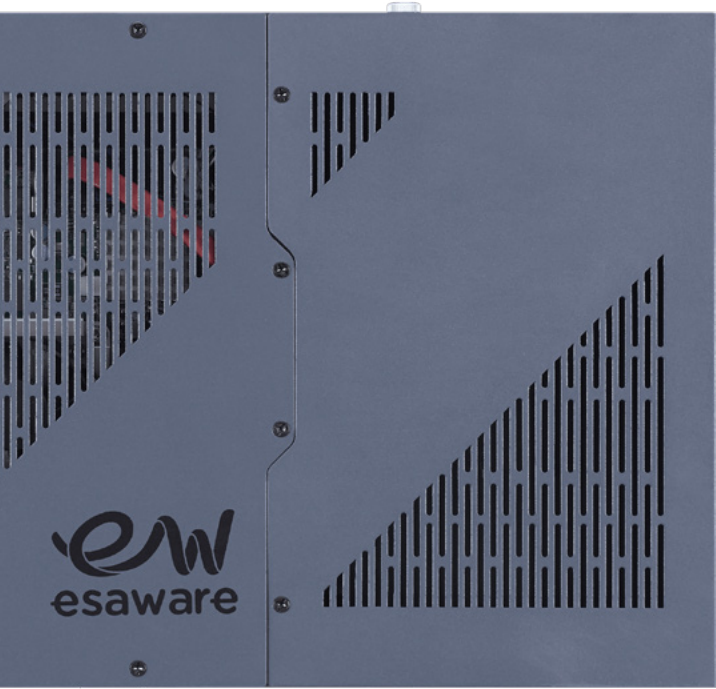
Overview

Smart Tech. Ease of Use.

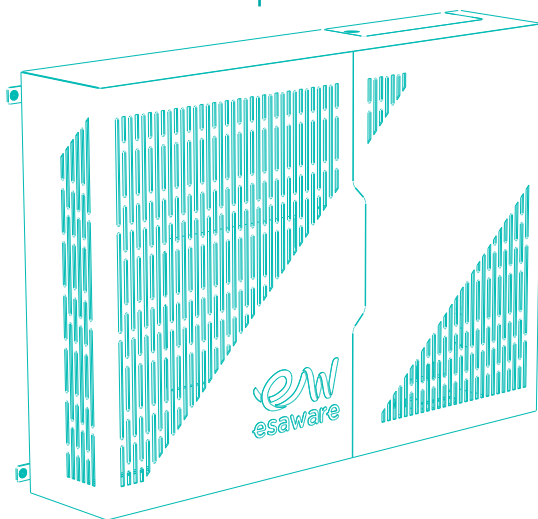




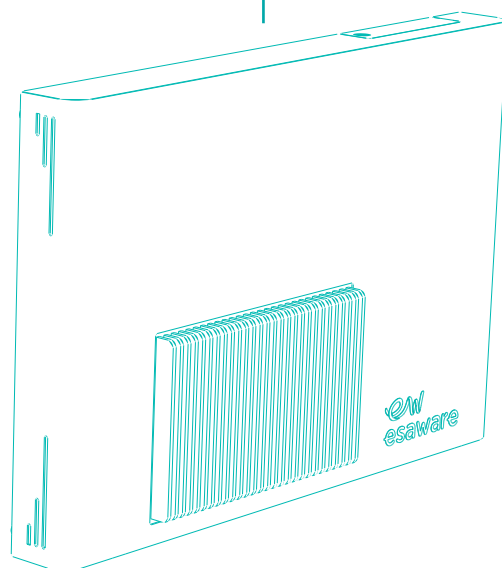
IPC Panel



IPC Panel MITX



IPC Panel SLIM



The ESA panel IPC portfolio includes configurable and all in one industrial PC series with resistive or capacitive touch screen.

Due to this extreme flexibility the product can fit perfectly the customer requirement.

The extended temperature range, fanless architecture and use of anti-vibration components are key concept that will ensure the functionality of the ESA IPC even in any extreme and harsh industrial environment.

FEATURES

- + High resolution and bright LCD available in different size
- + Extended view angle
- + Resistive or multipoint capacitive touchscreen
- + Industrial grade motherboard with multiple processor selection and fanless design
- + Extremely flexible disk drive and RAM configuration
- + RS232 – RS485 serial port

APPLICATION

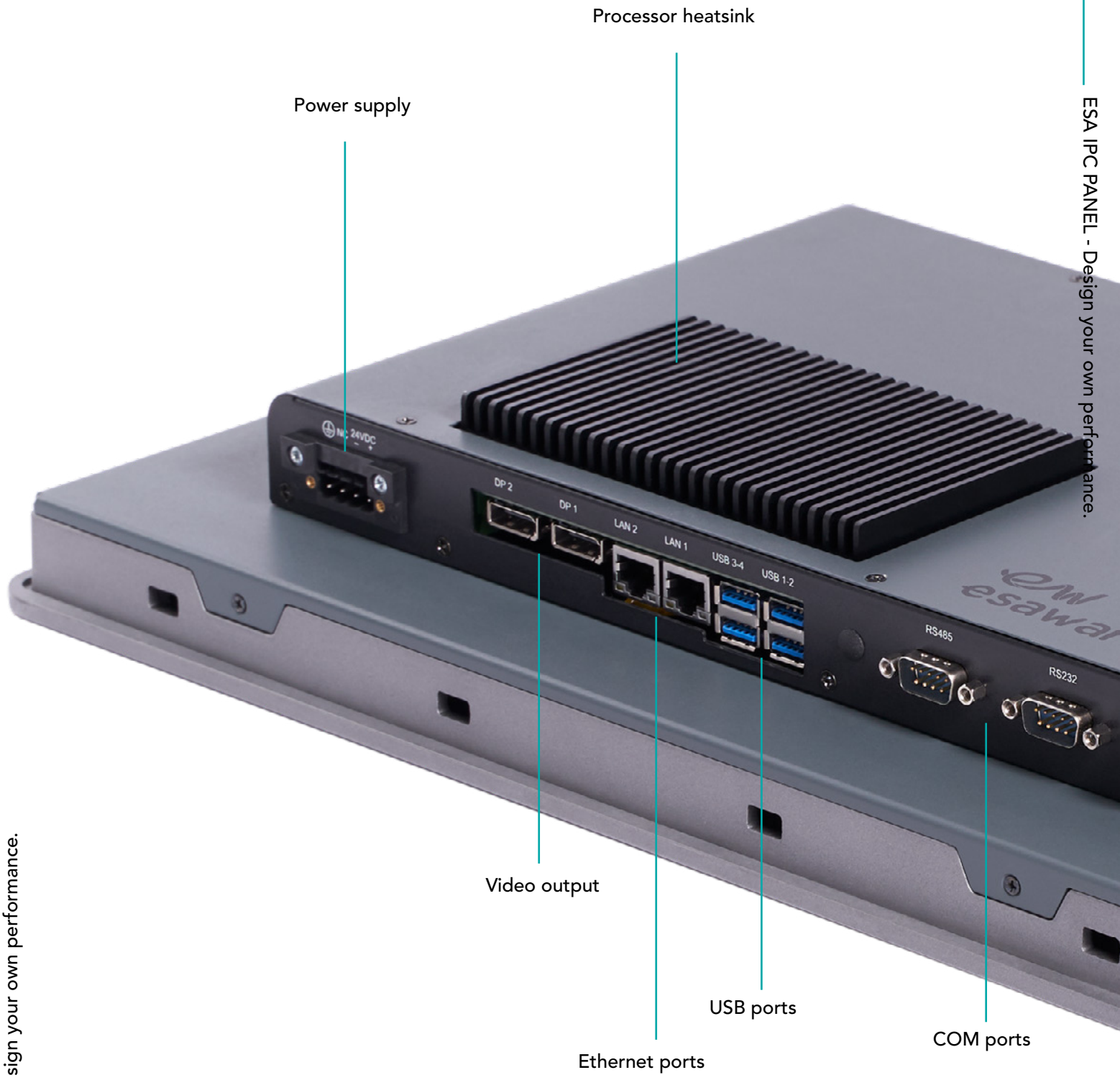
- + Packaging Machine
- + Plastic and rubber machine
- + Steel and Wood working machine
- + CNC
- + Food processing
- + Machine Robotics





IPC PANEL SLIM

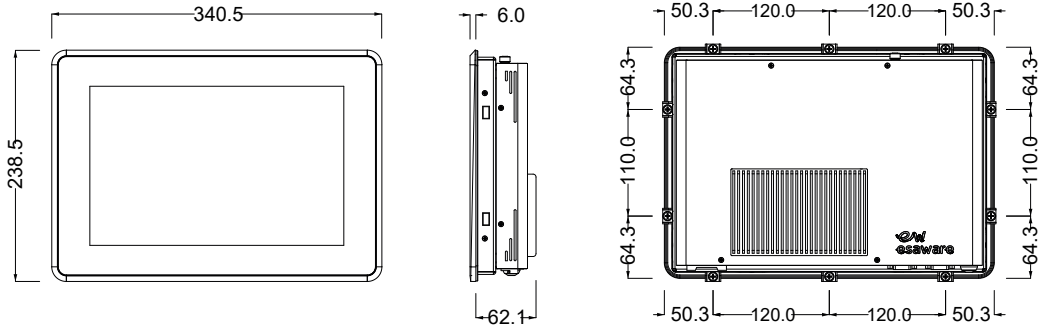
TECHNICAL SPECIFICATIONS



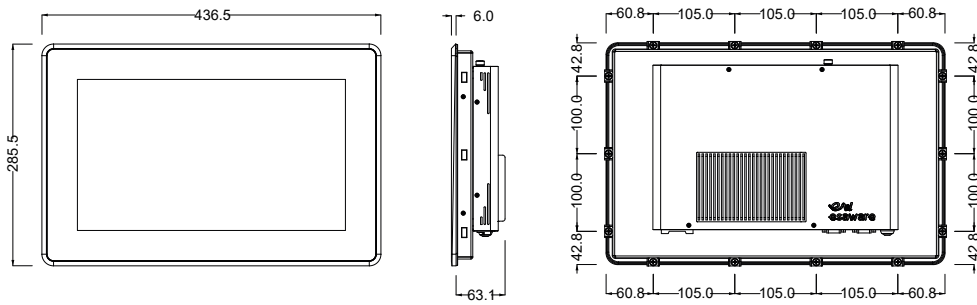
SLIM ESA IPC

The IPC SLIM ESA are compact and fanless. The ideal solution for applications that do not need slots for adding external add-on cards.

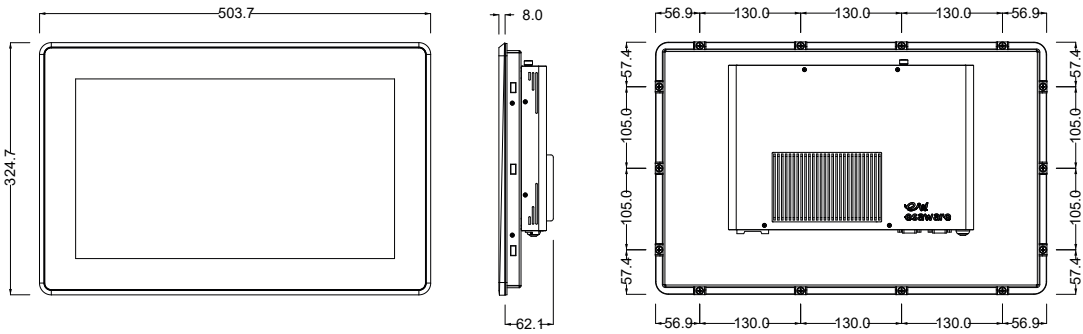
EW212 SLIM



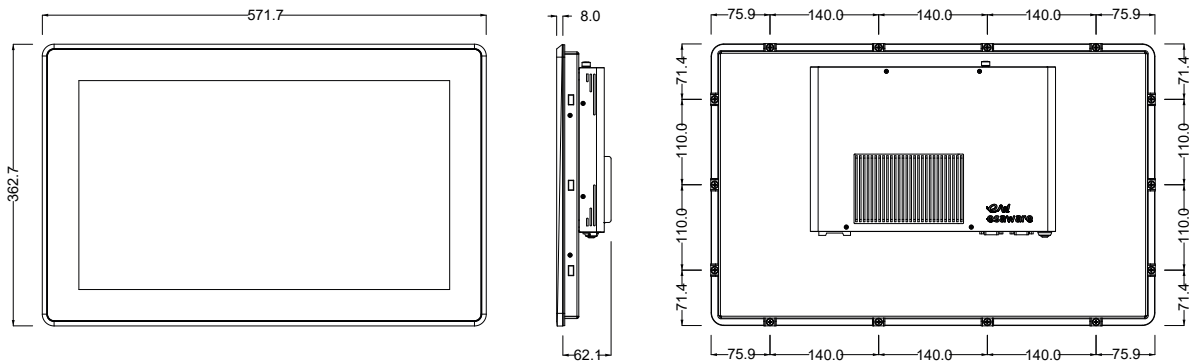
EW215 SLIM



EW218 SLIM



EW222 SLIM



Esaware Panel IPC (EW200 SLIM)

Design your own performance.

MODELLO	EW212	EW215	EW218	EW222
Display Size	12,1"	15,6"	18,5"	21,5"
Display Technology	TFT / 16,7 M			
Display Brightness (cd/m ²)	400		300	
Contrast	1000	500	1000	5000
Viewing Angle	88/88/88/88	85/85/85/85	85/85/80/80	89/89/89/89
Display Resolution (pixel)	1280X800	1366X768		1920X1080
Backlight life (hours)	50K			
Touch Technology	Resistive (5 wires) / Capacitive (PCT 10 touches)			
Bezel /Chassis	Aluminum with PTFE non-sticking coating / Sheet Steel			
CPU Fanless Celeron 4G	Celeron Quad Core J1900 2,0 GHz (2,42GHz)			
CPU Fanless Celeron 6G	Celeron Quad Core J3455E 1,5GHz (2,30 GHz) – 10W			
CPU Fanless Intel® Core™ 4G	Intel Core i3-4010U 1,7GHz / i7-4650U 1,7GHz (3,3GHz) – 15W			
CPU Fanless Intel Core 7G	Intel Core i3-7100U 2,4 GHz / i7-7600U 2,8 GHz – 15W			
Chipset	SoC			
GPU embedded Celeron J1900	HD Graphics			
GPU embedded Celeron J3455	HD Graphics 500			
GPU embedded i-core i3-4010U	HD Graphics 4400			
GPU embedded i-core i3-7100U	HD Graphics 620 – up to 1,00GHz			
GPU embedded i-core i7-4650U	HD Graphics 5000			
GPU embedded i-core i7-7600U	HD Graphics 620 – up to 1,15 GHz			
RAM (Celeron J1900/J3455E)	on board 4GB DDR3L 1066/1333MHz - dual channel /up to 8GB DDR3L 1866MHz			
RAM (Intel i-Core 4G / 7G)	up to 8GB DDR3L SODIMM 1333/1600MHz 204 pin / up to 16GB DDR4 2133/1866MHz 260 pin			
RS232 / RS485	1x RS232 + 1x RS485			
USB Port IP66 front	1x -no capacitive			
USB Ports 2.0/3.0 rear	1x 2.0 + 1x 3.0 CPU J1900/ 2x2.0 + 2x3.1 CPU J3455E 4 x 3.0 CPU Intel® Core 7G			
Ethernet Celeron J1900 / J3455E	2x 1Gb RJ45 Intel I210 / 2x1Gb RJ45 Intel I211AT			
Ethernet iCore™ i3/i7 4G/7G	2x 1Gb RJ45 Intel I210/I218 / 2x 1Gb RJ45 Intel I210AT/I219LM			
VGA/DP (Celeron J1900 / J3455E)	1x / 1x (DP passive cable required) 1 x VGA + 1 x HDMI			
DP (iCore™ i3/i7 4G / 7G)	2x (DP active cable required) / 1xVGA + 1x DP++			
RAID 0/1	2x SSD on CPU iCore / 2x mSATA on CPU J1900			
Expansion Slot (J3455E / i3 / i7 7G)	1x miniPCIe FS 1 x m.2 B 2242 1 x m.2 E 2230			
Drives externally accessible	CFast slot (option)			
Drives (internal)	HDD min. 500GB / SSD min. 32GB / mSATA min.32GB (options)			
Power Supply (Vdc)	15...36 (25W-15" basic)			
Consumption (W)	25-50			
Operating Temperature (°C)	-10 ... + 50 (non condensing)			
Storage Temperature (°C)	-20 ... + 65			
Humidity	90% (non condensing)			
External dimensions(W/H/D) (mm)	340,5x238,5x66,6(max)	436,5x285,5x66,6(max)	503,7x324,7x62,1	571,7x362,7x62,1
Cut-out dimensions (W/H) (mm)	326x227	422,5x271,5	486,5x307,5	554,5x345,5
Weight (kg)	4,5	6	8,5	10,5
Protection degree (front)	IP 66			
Certifications	CE / EN61000-6-2 / EN61000-6-4 / EN60068-2-6 / EN60068-2-6/27/30 cULus (Certificate no. E189179) / EAC ATEX 2014/34/UE directive Group II Category 3 G D Zone 2/22			
Operating Systems (32/64 bit according to CPU type)	WIN7 - WES7 - WIN8.1 - WIN10 IoT Enterprise 2016/LTSC 2019			



IPC PANEL MITX

TECHNICAL SPECIFICATIONS

Mother board I/F



COM port

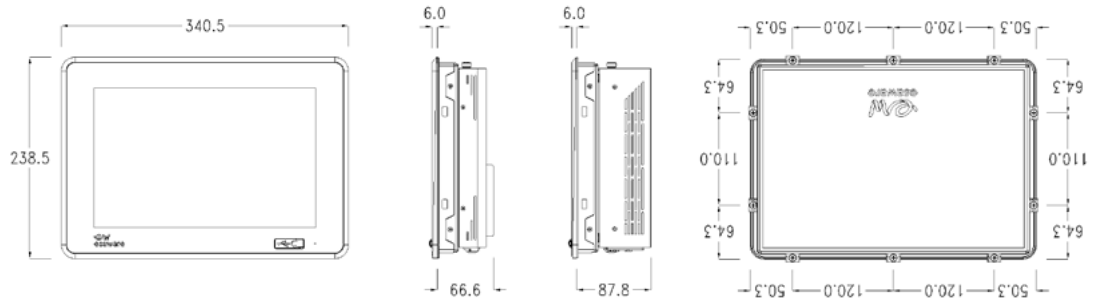
Additional add-on card slot (Optional)

Power supply

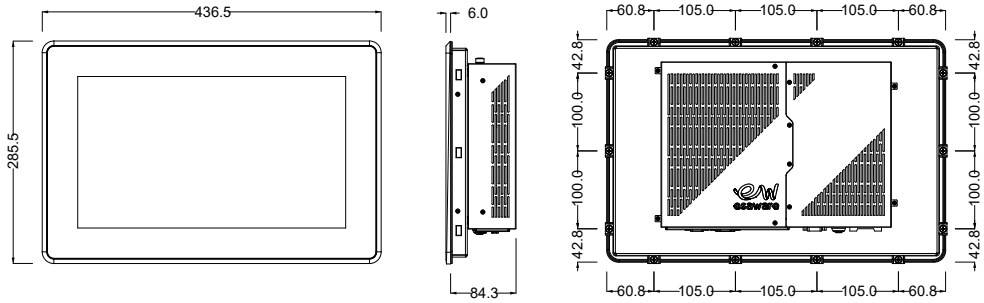
MITX ESA IPC

If your application requires an additional interface card, the MITX version optionally offers PCI or PCIe slot. Fieldbus, communication, wifi, additional video cards can be configured on the MITX IPC or installed later by the customer.

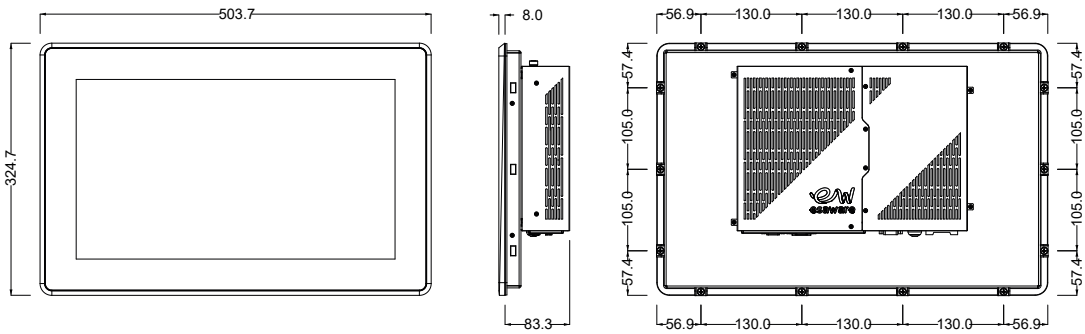
EW212 MITX



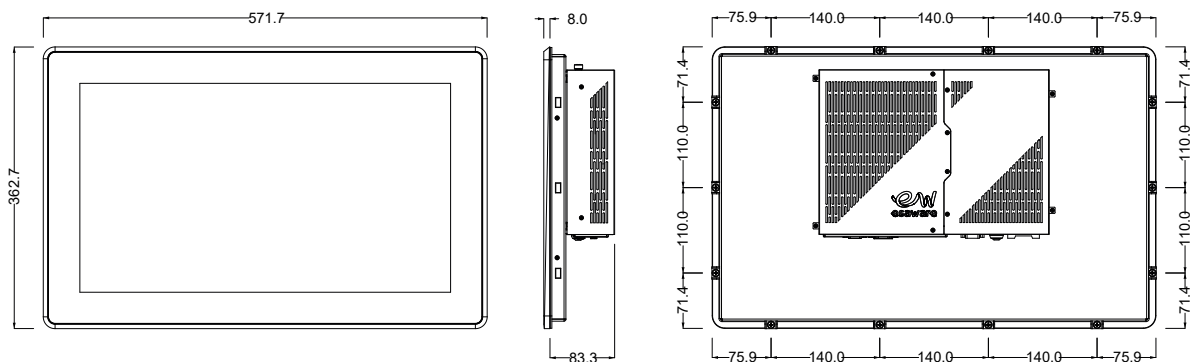
EW215 MITX



EW218 MITX



EW222 MITX



Esaware Panel IPC (EW200 MITX)

Design your own performance.

MODELLO	EW212	EW215	EW218	EW222
Display Size	12,1"	15,6"	18,5"	21,5"
Display Technology	TFT / 16,7 M			
Display Brightness (cd/m ²)	400		300	
Contrast	1000	500	1000	5000
Viewing Angle	88/88/88/88	85/85/85/85	85/85/80/80	89/89/89/89
Display Resolution (pixel)	1280X800	1366X768		1920X1080
Backlight life (hours)	50K			
Touch Technology	Resistive (5 wires) / Capacitive (PCT 10 touches)			
Bezel /Chassis	Aluminum with PTFE non-sticking coating / Sheet Steel			
CPU Fanless Celeron	Celeron Quad Core J1900 2,0 GHz			
CPU Fan Intel® Core™ 3G	Intel Core i3-3120ME 2,4GHz/ i5-3610ME 2,7GHz/ i7-3610QE 2,3 GHz			
CPU Fan Intel® Core™ 6G	Intel Celeron G3900TE 2,6GHz/ Intel Core i3-6100TE 2,7GHz/ i5-6500TE 2,3GHz/ i7-6700TE 2,4 GHz			
Chipset	NM10 Atom / SoC / QM67 / Q170			
GPU embedded	GMA3650 650MHz / HD Graphics - 4000 / HD Graphics 9G 510-530			
RAM (Celeron Quad Core)	up to 8GB DDR3L SODIMM 1333MHz 204 pin			
RAM (Fan Intel® Core™) 3G	up to 16GB DDR3 SODIMM 1333/1600MHz 204 pin			
RAM (Fan Intel® Core™) 6G	up to 32GB DDR4 SODIMM 1866/2133MHz 260 pin			
RS232 / RS485	2x RS232 + 1x RS232-422-485			
USB Port IP66 front	1x -no capacitive-			
USB Ports 2.0/3.0 rear	4/0 Atom - 3/1 Celeron - 4/0 iCore™ 3G – 0/4 iCore™ 6G			
Ethernet (Celeron Quad Core)	2x 1Gb RJ45 Intel I210			
Ethernet (Fan iCore™) 3G	2x 1Gb RJ45 Intel 82579LM / Realtek RTL8111DL			
Ethernet (Fan iCore™) 6G	2x 1Gb RJ45 Intel I210AT / I219LM			
VGA/DVI-D (Celeron Quad Core)	1x / 1x			
VGA/DVI-D (Fan iCore™) 3G	1x / 1x			
DVI-D/HDMI (Fan iCore™) 6G	1x / 1x			
Audio - PS2 (no iCore 6G)	1/0 (Atom-Celeron) – 1/1 (iCore 3G)			
CFast slot	1 x external accessible slot			
Mechanical Slot (optional)	1x PCIe x1 - 1x miniPCIe - 1x PCIe x16 – 1x PCI			
Drives – RAID 0/1	HDD min. 500GB / SSD min. 32GB / CFast min. 4GB - Option			
Power Supply (Vdc)	18...30 VDC (25W-15" basic)			
Consumption (W)	25W - 65W			
Operating Temperature (°C)	-10 ... + 50 (non condensing)			
Storage Temperature (°C)	-20 ... + 65			
Humidity	90% (non condensing)			
External dimensions(W/H/D) (mm)	340,5x238,5x87, (max)	436,5x285,5x87, (max)	503,7x324,7x83,3	571,7x362,7x83,3
Cut-out dimensions (W/H) (mm)	326x227	422,5x271,5	486,5x307,5	554,5x345,5
Weight (kg)	4,5	6	8,5	10,5
Protection degree (front)	IP 66			
Certifications	CE - EN61000-6-2 / EN61000-6-4 / EN60068-2-6/27/30 cULus (Certificate no. E189179) / EAC ATEX 2014/34/UE directive Group II Category 3 GD Zone 2/22			
Operating Systems (32/64 bit according to CPU type)	WIN7 - WES7 - WIN8.1 - WIN10 IoT Enterprise LTSB 2016/ LTSC 2019			



IPC Box

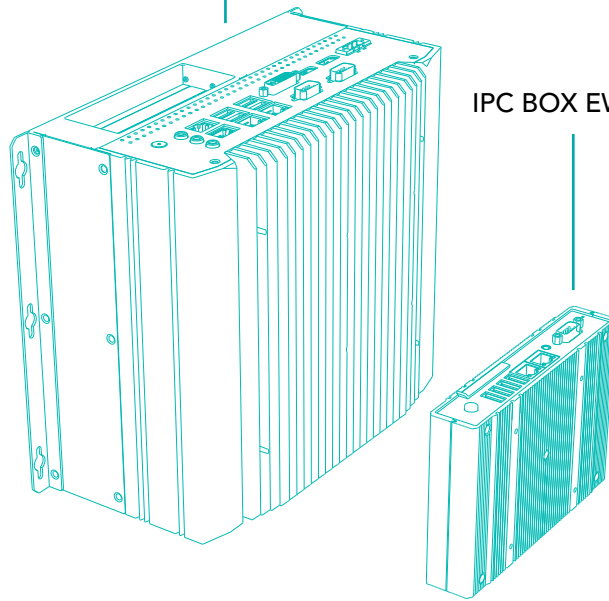
ESA IPC BOX - Rugged design. Expandable technology.

ESA IPC BOX - Rugged design. Expandable technology.



IPC BOX EW420

IPC BOX EW410



The ESA BOX PC portfolio include configurable and extremely compact industrial PC series with multiple hardware configurations.

Due to this extreme flexibility the product can fit perfectly the customer requirement.

The extended temperature range, fanless architecture and use of anti-vibration components are key concept that will ensure the functionality of the ESA IPC even in any extreme and harsh industrial environment.

Designed for Industry 4.0 and Edge computing applications.

FEATURES

- + Extreme compact size
- + Fanless architecture even with high power processor
- + Extended temperature range
- + Industrial grade mainboard with multiple processor selection
- + Extremely flexible disk drive and RAM configuration
- + Up to 4 independent ethernet ports for Industry 4.0 applications
- + RS232 – RS485 serial port

APPLICATION

- + Packaging Machine
- + Plastic and rubber machine
- + Steel and Wood CNC
- + Food processing Machine Robotics
- + Industry 4.0 edge computing



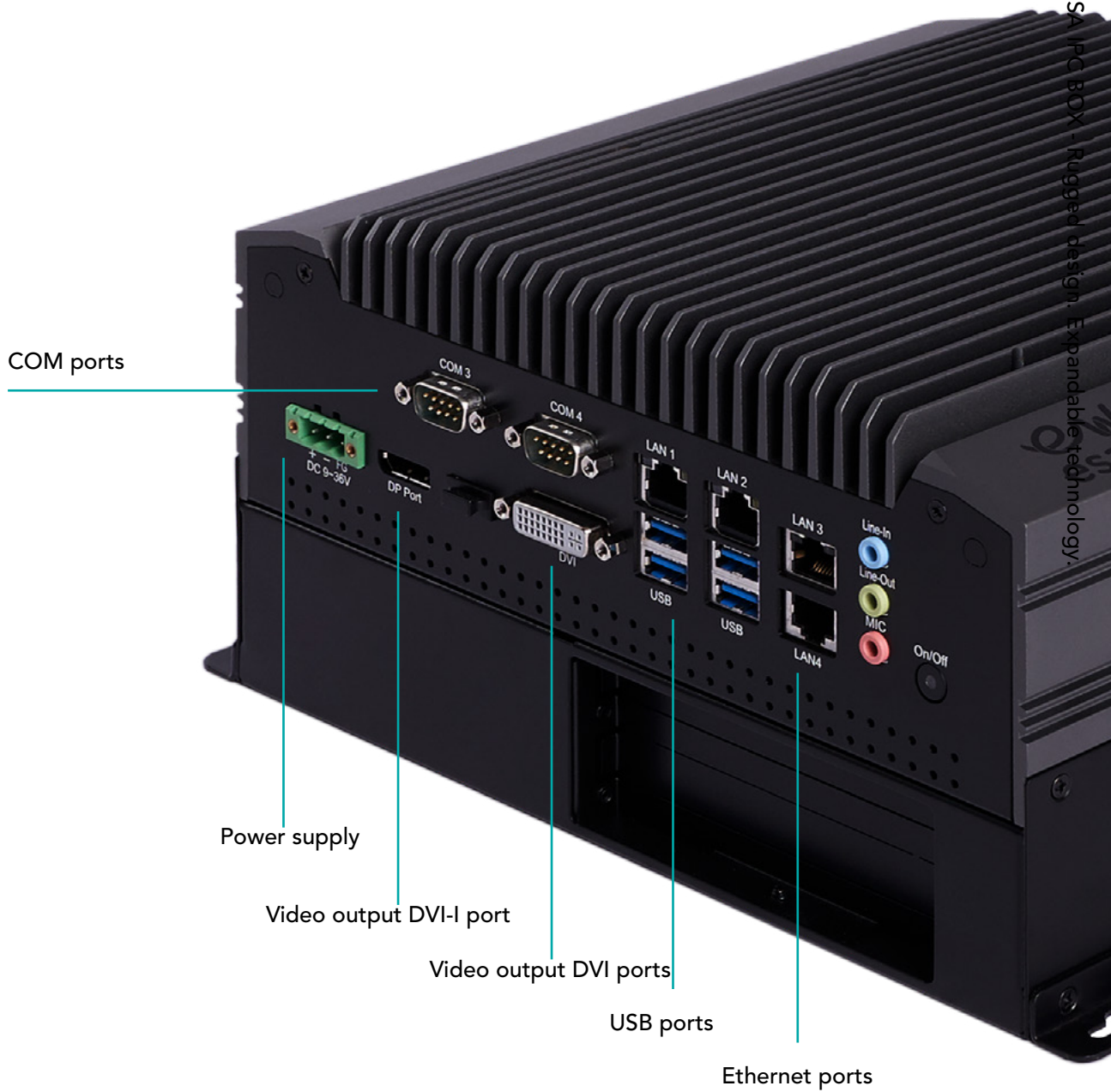


ESA IPC BOX - Rugged design. Expandable technology.

ESA IPC BOX - Rugged design. Expandable technology.

IPC BOX 420

TECHNICAL SPECIFICATIONS

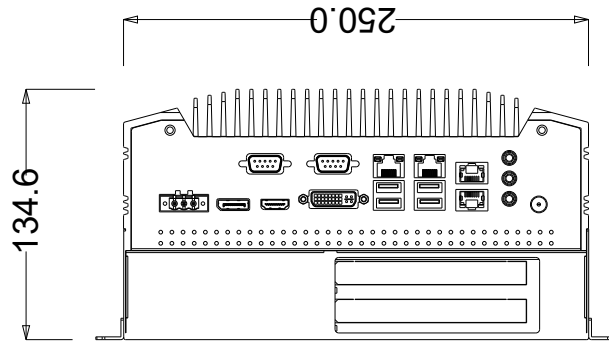
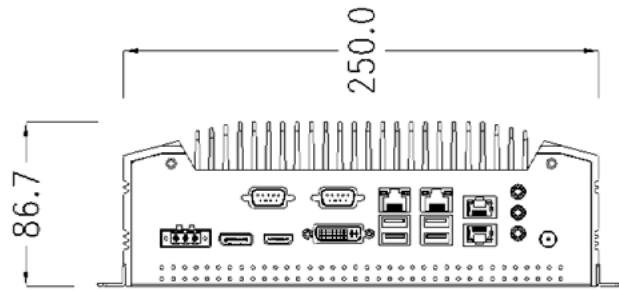
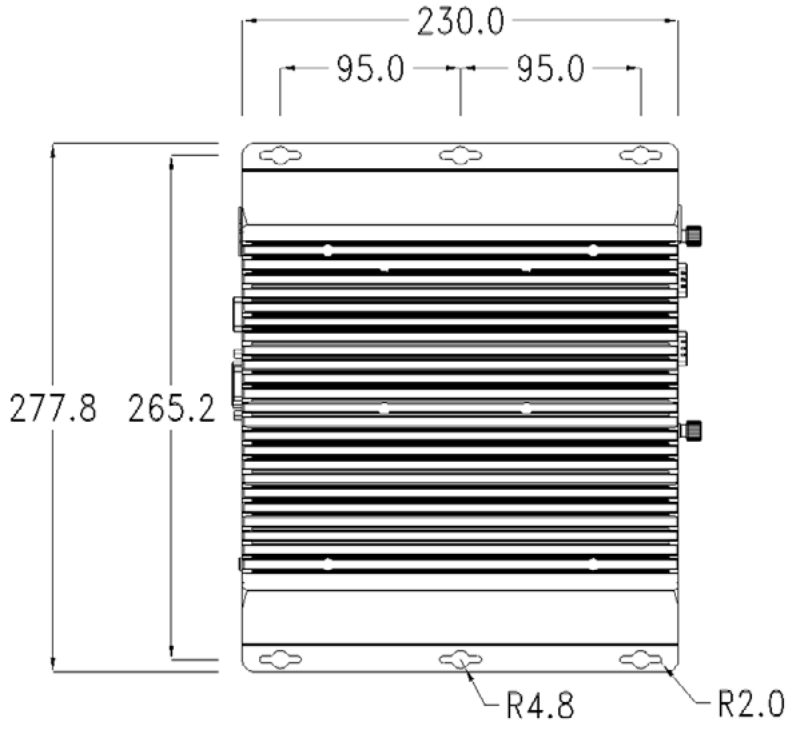


EW420 High performance box IPC box PC

High performance box industrial PC with fanless design and extended temperature range.

Ideal for industry 4.0 and edge computing applications. Flexible configuration both in term of processor, RAM and disk drive.

PCIe slots optionally available for add-on cards. (ETH,wifi,RS232/485,video cards).



2 x PCIe

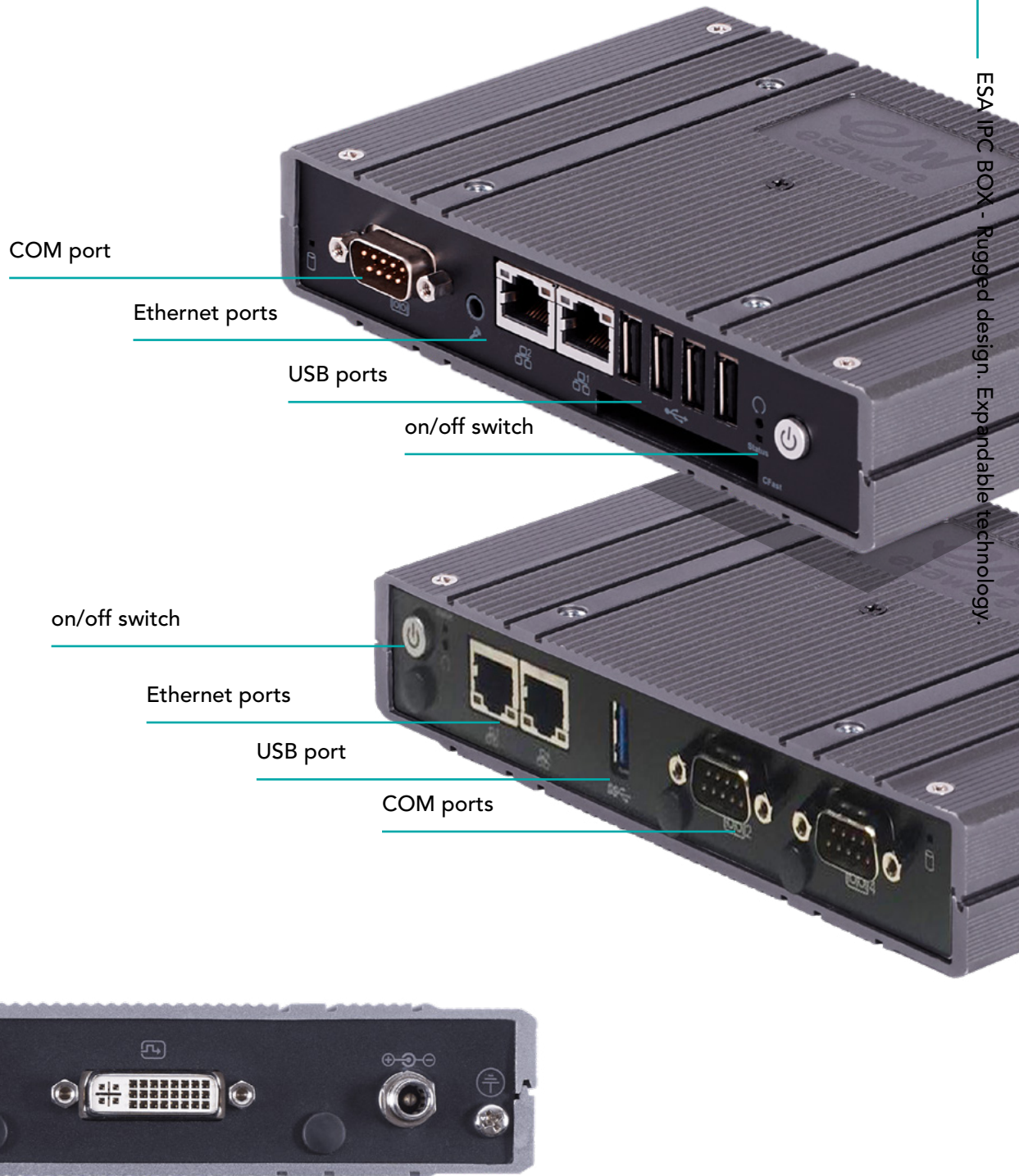
EW420
Rugged design.

MODELLO	EW420
Heavy duty steel chassis	Selection ATX/APO via BIOS LED green on/off On/Off push-button LED red HDD Lockable industrial power connector Aluminium Heat-sink
CPU Fanless	Core i7-6700TE Quad Core 2,4 GHz Fanless Core i5-6500TE Quad Core 2,3 GHz Fanless Core i3-6100TE Dual Core 2,4 GHz Fanless Celeron G3900TE Dual Core 2,4 GHz Fanless
Chipset	H170 DMI 8GT/s
GPU embedded	HD Graphics 530 CPU icore HD Graphics 510 CPU Celeron
RAM	RAM up to 32GB DDR4 SODIMM 260-pin 2133 MHz
I/F	2 x RS232/422/485 Sub-D 9 pin 2 x RS232 Sub-D 9 pin 4 x USB ver. 3.0 + 2x ver- 2.0 4 x Ethernet 1Gbit RJ45 - Intel 82574L 1 x DP port + 1 x DVI-I + 1 x HDMI 1 x Line In-Out / Mic In 3 x MiniPCIe slot FS (one mSATA) 1 x connector GPIO 8bit 4DI/4DO
Drives (options)	2x HDD (min. 500GB) /SSD (min 64GB) on extractable drawer(s) RAID 0-1 [optional]
Mechanical slot (opt.)	2 x slot (PCIe x1)
Operating Temperature (°C)	0... +50 (non condensing)
Storage Temperature (°C)	-40 ... +85
Humidity	< 90% (non condensing)
Weight (kg)	4,5/5,5 (0/2 slot ver.)
Power supply (Vdc)	9...36
Power consumption (24 Vdc – basic config – NO PCI CARDS) (W)	55 (i7-4GB+HDD) max 56,3 without PCI 60,4 with PCI
Dimensions (W/H/D) (mm)	280x230x87 / 280x230x135 (0-2 slot ver.)
Operating system (32/64 bit according to CPU type)	WIN7 – WES7 – WIN 8.1 – WIN 10 IoT Enterprise LTSB 2016 / LTSC 2019
Protection degree	IP 20
Certifications	CE / EN61000-6-2 / EN61000-6-4 / EAC



IPC BOX 410

TECHNICAL SPECIFICATIONS



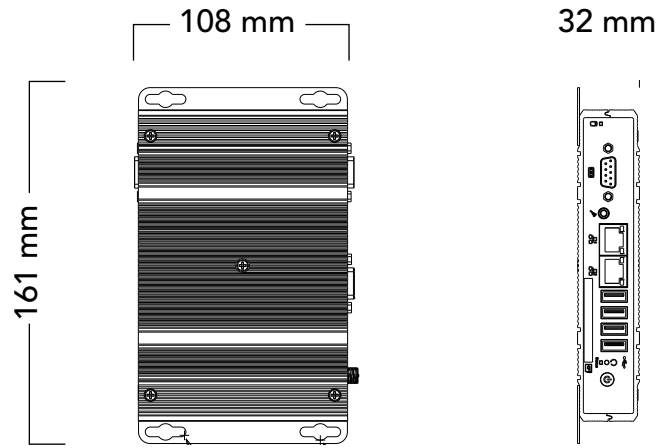
EW410 extreme compact box IPC

Extreme compact box industrial PC with fanless design and extended temperature range.

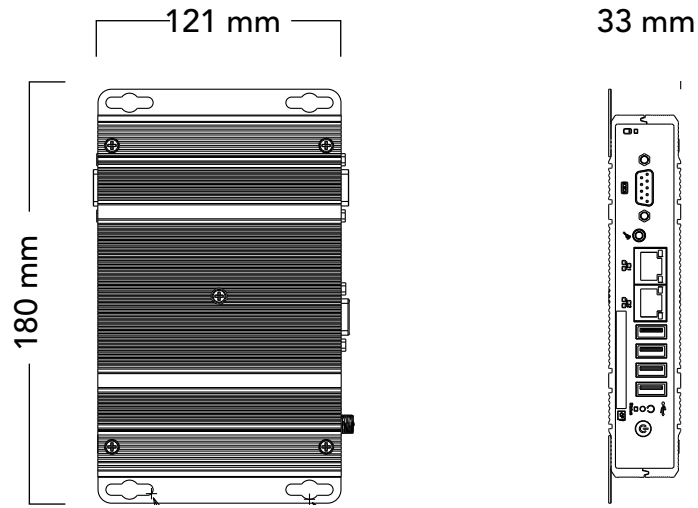
Ideal for industry 4.0 and edge computing applications. Flexible configuration both in term of processor, RAM and disk drive.

Dimensions

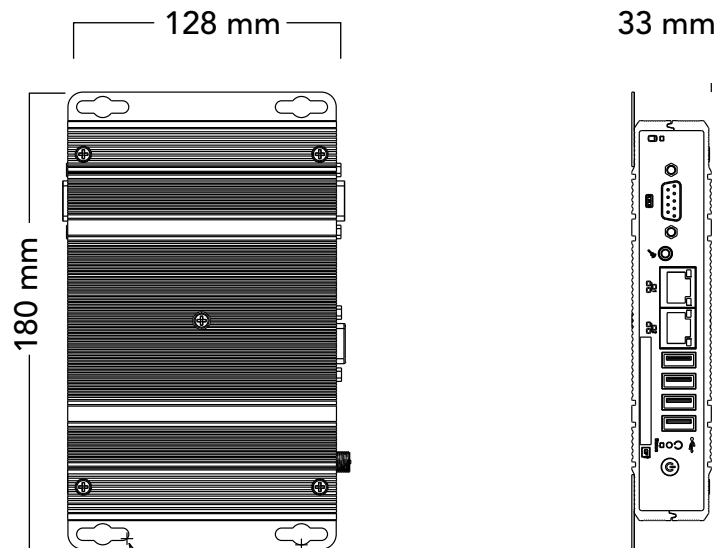
BOX - EW410NF2



BOX - EW410NF6



BOX - EW410NF7



Esaware EW410 Box IPC

Compact design. Multi-connectivity.

	EW410NF6	EW410NF2
Aluminum Enclosure	Heavy alu extrusion chassis Aluminum heat-sink Selection ATX/APO via Bios LED green on/off On/Off push-button LED blue HDD Lockable power connector Wall/VESA/DIN rail – mounting options	Heavy alu extrusion chassis Aluminum heat-sink Selection ATX/APO via Bios LED green on/off On/Off push-button LED blue HDD Lockable power connector Wall/VESA/DIN rail – mounting options
CPU Fanless	Celeron Quad Core J1900 2,00 GHz	Atom Dual Core D2550 1,86 GHz
Chipset	SoC	NM10 DMI 2,5GT/s
GPU embedded	HD Graphics Resolution 1920 x 1080 DVI Resolution 2560 x 1600 VGA	GMA3650 Resolution 1920 x 1080 DVI/VGA
RAM	4GB DDR3L 1066 MHz on board	2GB DD3 1066MHz on board
I/F	2 x RS232/422/485 Sub-D 9 pin 1 x RS232/422/485 8-bit DIO 9 pin 4 x USB ver. 2.0 1 x USB ver. 3.0 1 x DVI-I 4 x Ethernet 1 Gbit RJ45 – Intel I210 2 x miniPCIe slot (1x mSATA) 1 x SIM slot (RS485 Auto Direct Control)	2 x RS232/422/485 Sub-D 9 pin 4 x USB ver. 2.0 2 x Ethernet 1 Gbit RJ45 – Intel 82574L 3 x miniPCIe slot (1x mSATA) 1 x DVI-I 1 x Line Out / Mic In 1 x CFast slot external access 1 x SIM slot (RS485 Auto Direct Control)
Drives options	mSATA/SSD/HDD	CFast/mSATA
Operating Temperature (°C)	0 ... + 60 (non condensing)	
Storage Temperature (°C)	-20 ... +80	
Humidity	< 85% (non condensing)	
Weight (kg)	0,8	0,7
Power supply (Vdc)	9...36 max 20W	9...26 max 20W
Dimensions (W/H/D) (mm)	180 x 121 x 33	161 x 108 x 32
Operating system (32/64 bit according to CPU type)	WIN7 – WES7 – WIN8.1 – WIN10 – UBUNTU 14	XPpro – WIN7 – WES7 – WE2009 – UBUNTU 12
Protection degree	IP 20	
Certifications	CE / EN61000-6-2 / EN61000-6-4 / EAC	

	EW410NF7
Enclosure	Heavy alu extrusion chassis Alluminium heat-sink 1x power led 1x Status led Lockable power connector Wall/VESA/DIN Rail Mounting option
J3455E	I/F expansion 1x mSATA FS 1x mPCIe FS 1x M.2 (2230E) 1x SIM socket - nano -
CPU Fanless	Intel J3455E, 2M Cache, 1.5GHz (2.3 GHz)
Chipset	SoC
Embedded GPU	HDMI: resolution up to 3840x2160 DP: resolution up to 4096 x 2160 VGA: resolution up to 1920 x 1200
RAM	DDR3L 8GB SO-D SO-DIMM 1866 MHz
I/F	Serial: 2 x RS232/485 (DB9) Display: 1 x VGA - 1 x DP/HDMI combo Buttons: 1xPower - 1xReset Wi-Fi / 3G : Antenna 3 x Antenna Holes Ethernet: 4x I210IT x Gbe LAN (RJ45) USB: 2 x 3.0 Serial: 2 x RS232/RS422/RS485 (DB9) Expansion 1x mSATA FS 1x mPCIe FS 1x M.2 (2230E) 1x SIM slot - nano -
Drives options	SATA 3.0 : SSD or HDD 2.5"
Operating system	WIN10 IoT enterprise LTSC 2019 64bit Linux support
Operating temperature (°C)	-20 +60
Storage temperature (°C)	-40..+85
Humidity	< 95% (non condensing)
Weight (kg)	0,7
Power supply	9 ~ 36 VDC
Dimensions (WxHxD)	180mm x 128mm x 33mm
Protection degree	IP20
Certifications	CE / EN 61000-6-2 / EN 61000-6-4 , FCC class A / UL in progress

IPC Accessories

PCIe 3CAN	additional CAN ports for realtime applications based on INTIME technology
XCFINDSLC	industrial compact flash different size
XCFASTINDSLC	industrial CFast different size
ESAKVMRECEIVER	KVM receiver module
ESAKVMTRANSMITTER	KVM transmitter module
XACCPE0KBTS00	On screen keyboard
EWUPS00000000BK	UPS DC-DC 24V / Lithion battery / Smart SW



Download our free App to get
ESA Catalog
on your smartphone or tablet

The complete range of ESA products
on your smartphone and tablet with one
tap.



Download from





ESA S.p.A. | Headquarters
Via Padre Masciadri 4/A
22066 Mariano Comense (CO) Italy
Tel. +39 031 757400
Fax. +39 031 751777
info@esa-automation.com

ESA energy S.r.l.
Via Fortunato Zeni 8
38068 Rovereto (TN) - Italy
Tel. +39 0464 443272
Fax. +39 0464 443273

ESA Europa S.L.U.
Passeig del Ferrocarril, 335
08860 Castelldefels (Barcelona) - España
Tel. +34 936455014
Fax. +34 936455013

ESA Automation Technology (Shanghai) Co. Ltd
Room1006-2, Building 21B, 1158 Zhongxin Road,
Songjiang Dist. Shanghai, CHINA
Tel: 021-60907250
Fax: 021-60907258
Post code: 201199

ESA S.p.A. | LBU
Via Molise, 1 - Z.I. Gello
56025 Pontedera (PI) - Italy
Tel. +39 0587 296014
Fax. +39 0587 294240

ESA S.p.A. | LBU
Via Monari Sardè 1^a
40010 Bentivoglio (BO)
Tel. +39 051 6640464

ESA Elettronica GmbH
Carl-Zeiss-Strasse, 35
63322 Rödermark - Deutschland
Tel. +49 6074 486 45 0
Fax. +49 6074 486 45 66

ESA Software & Automation India Pvt. Ltd
HYBRID TOWERS , NO: 5AC-101 , 1st Floor, 2nd
Main,HRBR Layout, 3 rd Block,Kalyan Nagar Post,
Bangalore-560 043 – INDIA
Tel. +91 80 25435656

Connect
ideas.
Shape
solutions.

ESA S.p.A. | www.esa-automation.com |